

*Order form for Icon Protégé table replacement covers.*

1. Choose your color - retrieve the name and number located at the bottom of each color sample on our website by pressing the color selection button (Naugahyde Spirit Millennium).
2. Complete measurement form – measure at the bottom of the cushion for width and length. Measure the thickness of cushions including the board.
3. Forward a picture of your table showing the top of the cushions and one picture of the side profile of your table to [ChiropracticTableUpholstery@gmail.com](mailto:ChiropracticTableUpholstery@gmail.com)

If you require further information, contact us at 1.416.487.0258  
or send an email to [ChiropracticTableUpholstery@gmail.com](mailto:ChiropracticTableUpholstery@gmail.com)

**MAILING ADDRESS**

111 Lawton Blvd., Suite 708  
Toronto, Ontario M4V 1Z9

Phone: 1.416.487.0258

MAILING ADDRESS  
111 Lawton Blvd., Suite 708  
Toronto, Ontario  
M4V 1Z9

2024

Phone: 1.416.487.0258

Email: [ChiropracticTableUpholstery@gmail.com](mailto:ChiropracticTableUpholstery@gmail.com)

**ORDER FORM**

Date:	Signature:	Zip/Postal Code:
Name:		Phone:
Address:		Fax:
City:	State/Prov:	Email:

**Icon Chiropractic Table**

QTY:	COVER	COLOR NUMBER	COVER PRICE	TOTAL COST
	COMPLETE SET OF COVERS		\$289.75USD	
			Total	
			Shipping	
			Total	
<b>Shipping and Handling for a complete set of covers \$44.75USD</b>				

**Payments are handled through PayPal.**  
**Billing invoice from Kevin Hill/PayPal. You do not need a PayPal account to pay by credit card.**

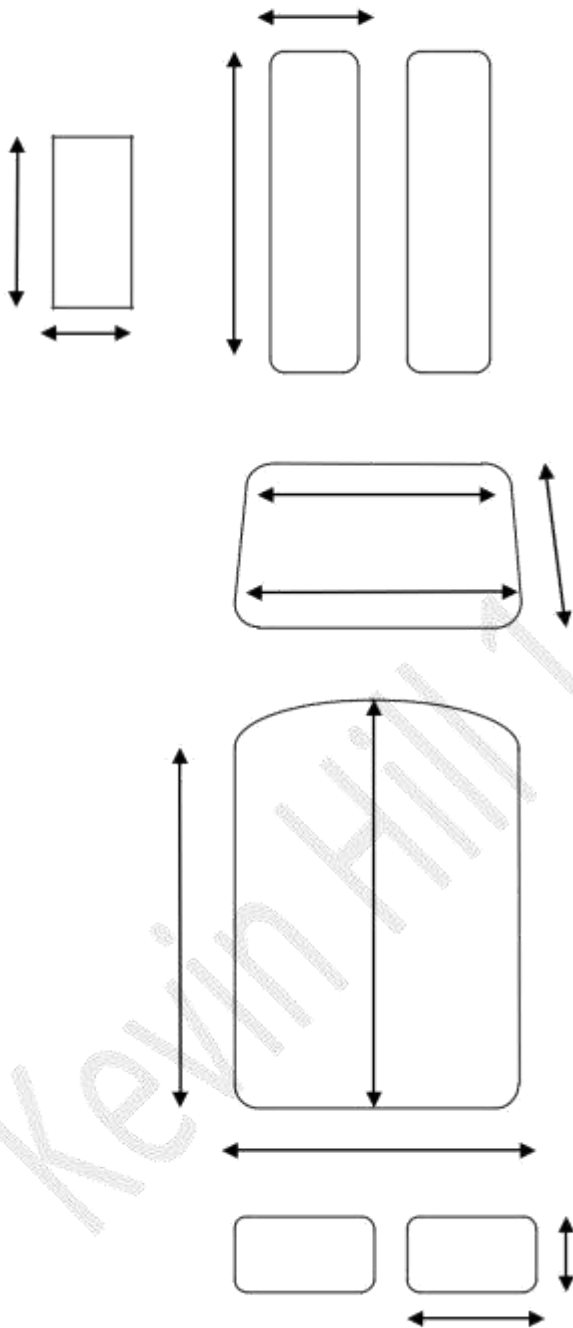
**No C.O.D. orders, No Returns or Refunds as orders are made to your specifications, color choice and table model. Please measure carefully. Your order will take 15 business days to process following the date of payment.**

Cushion Thickness \_\_\_\_\_

Head Rest \_\_\_\_\_ Other Cushions \_\_\_\_\_

[www.ChiropracticTableUpholstery.ca](http://www.ChiropracticTableUpholstery.ca)

1.416.487.0258



Icon Protégé Chiropractic Table

Due to the age of some tables, measure all cushions for a proper fit mark beside each arrow the length/width. We will adjust the measurement from the standard size to fit your table if required.

Please attach this form with your order.

Color \_\_\_\_\_

Name \_\_\_\_\_

Phone # \_\_\_\_\_