

*Order form for Titan table replacement covers.*

Instructions:

1. Select your preferred color:
  - Visit our website and click on the color selection button.
  - Browse through the Naugahyde Spirit Millennium color samples.
  - Note down both the name and number found at the bottom of your chosen color sample.
2. Take accurate measurements:
  - Width and length: Measure the bottom of each cushion.
  - Thickness: Measure the full thickness of each cushion, including the board.
  - Fill out the measurement form with these details.
3. Provide visual references:
  - Take two photographs of your table:
    - a. One showing the top view of the cushions
    - b. Another showing the side profile of the table
  - Email both images to [ChiropracticTableUpholstery@gmail.com](mailto:ChiropracticTableUpholstery@gmail.com)

By following these steps, you'll ensure we have all the necessary information to proceed with your chiropractic table upholstery project.

For additional information, please reach out to us at [ChiropracticTableUpholstery@gmail.com](mailto:ChiropracticTableUpholstery@gmail.com) or 1.416.487.0258

MAILING ADDRESS  
111 Lawton Blvd., Suite 708  
Toronto, Ontario M4V 1Z9

MAILING ADDRESS  
 111 Lawton Blvd., Suite 708  
 Toronto, Ontario  
 M4V 1Z9

2025

Phone: 1.416.487.0258

Email: [ChiropracticTableUpholstery@gmail.com](mailto:ChiropracticTableUpholstery@gmail.com)

**ORDER FORM**

Date:	Signature:	Zip/Postal Code:
Name:	Phone:	
Address:	Fax:	
City:	State/Prov:	Email:

**Icon Chiropractic Table**

QTY:	COVER	COLOR NUMBER	COVER PRICE	TOTAL COST
	COMPLETE SET OF COVERS		\$289.75USD	
			Total	
			Shipping	
			Total	
<b>Shipping and Handling for a complete set of covers \$44.75USD</b>				

**Payments are handled through PayPal.  
 Billing invoice from Kevin Hill/PayPal. You do not need a PayPal account to pay by credit card.**

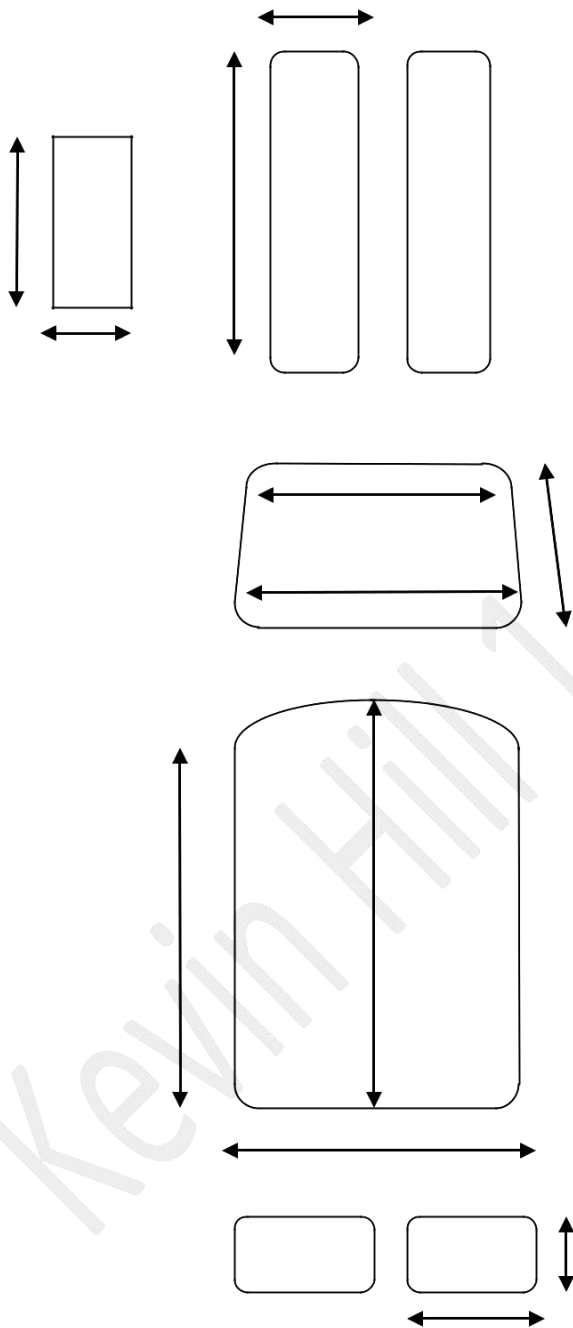
**No C.O.D. orders, No Returns or Refunds as orders are made to your specifications, color choice and table model. Please measure carefully. Your order will take 15 business days to process following the date of payment.**

Cushion Thickness

Head Rest \_\_\_\_\_ Other Cushions \_\_\_\_\_

[www.ChiropracticTableUpholstery.ca](http://www.ChiropracticTableUpholstery.ca)

1.416.487.0258



Titan Chiropractic Table

Due to the age of some tables, measure all cushions for a proper fit mark beside each arrow the length/width. We will adjust the measurement from the standard size to fit your table if required.

Please attach this form with your order.

Color \_\_\_\_\_

Name \_\_\_\_\_

Phone # \_\_\_\_\_